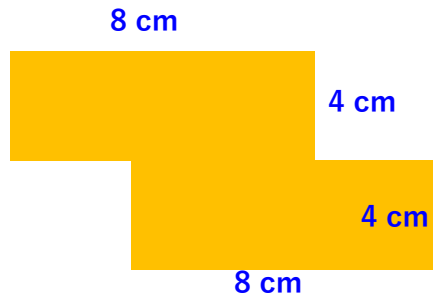




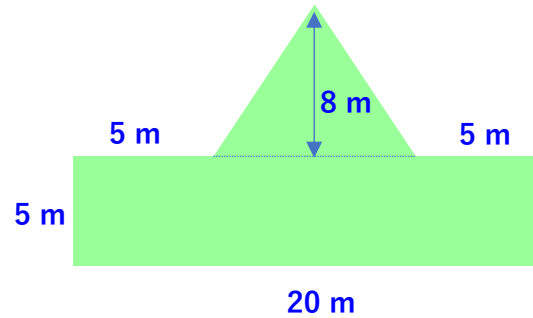
Area of Composite Figures

Work out the area of the following composite figures. They are not drawn to scale.
Be sure to include units in your answer.

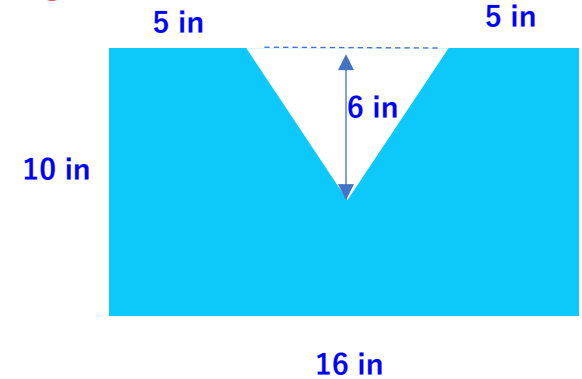
①



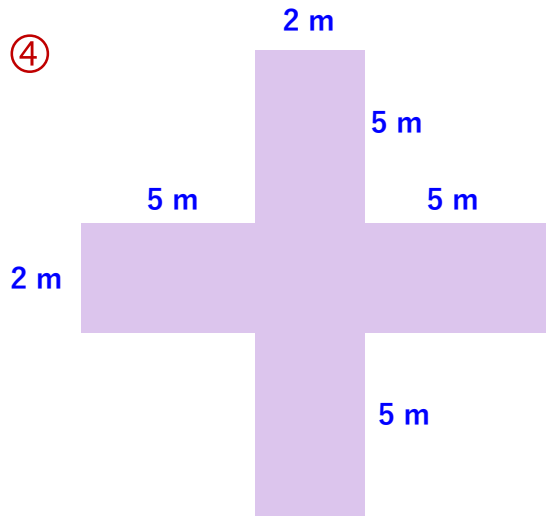
②



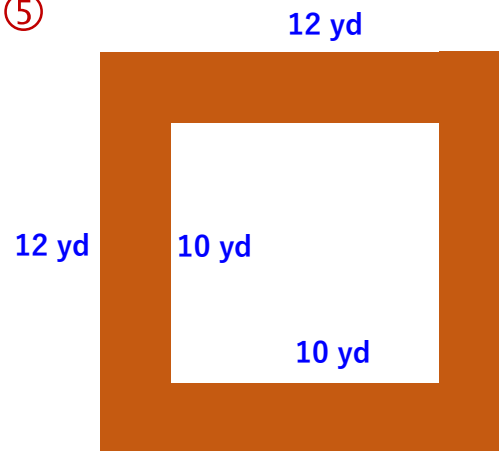
③



④



⑤



⑥

